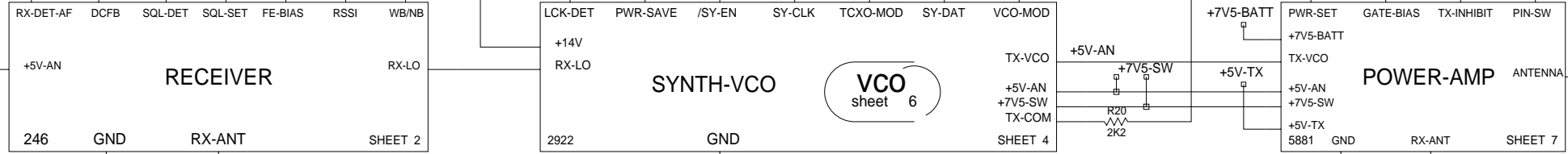
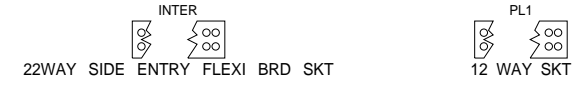


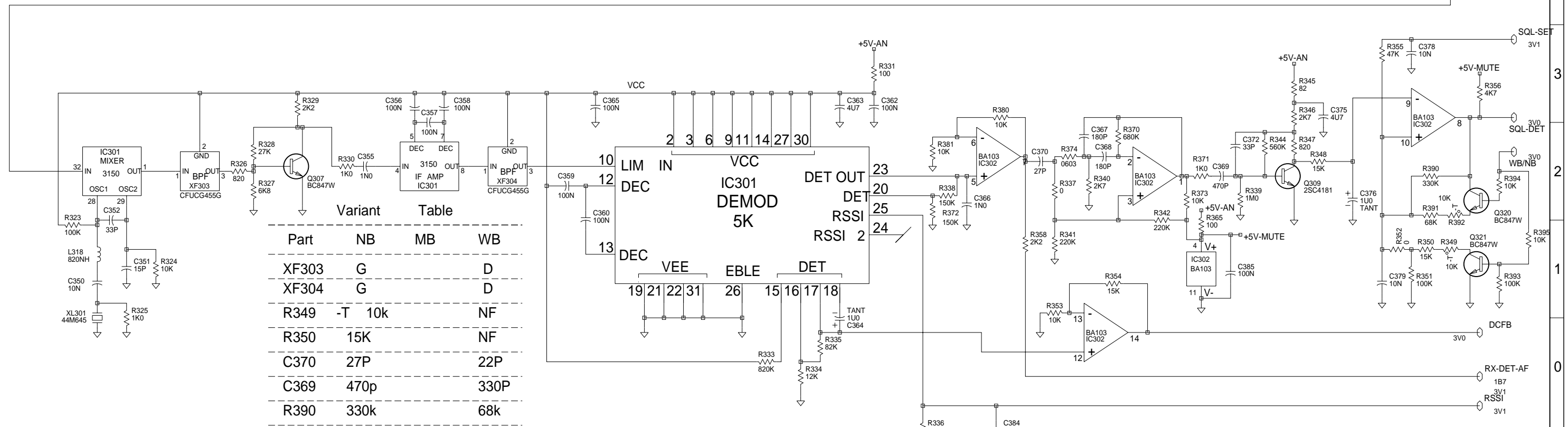
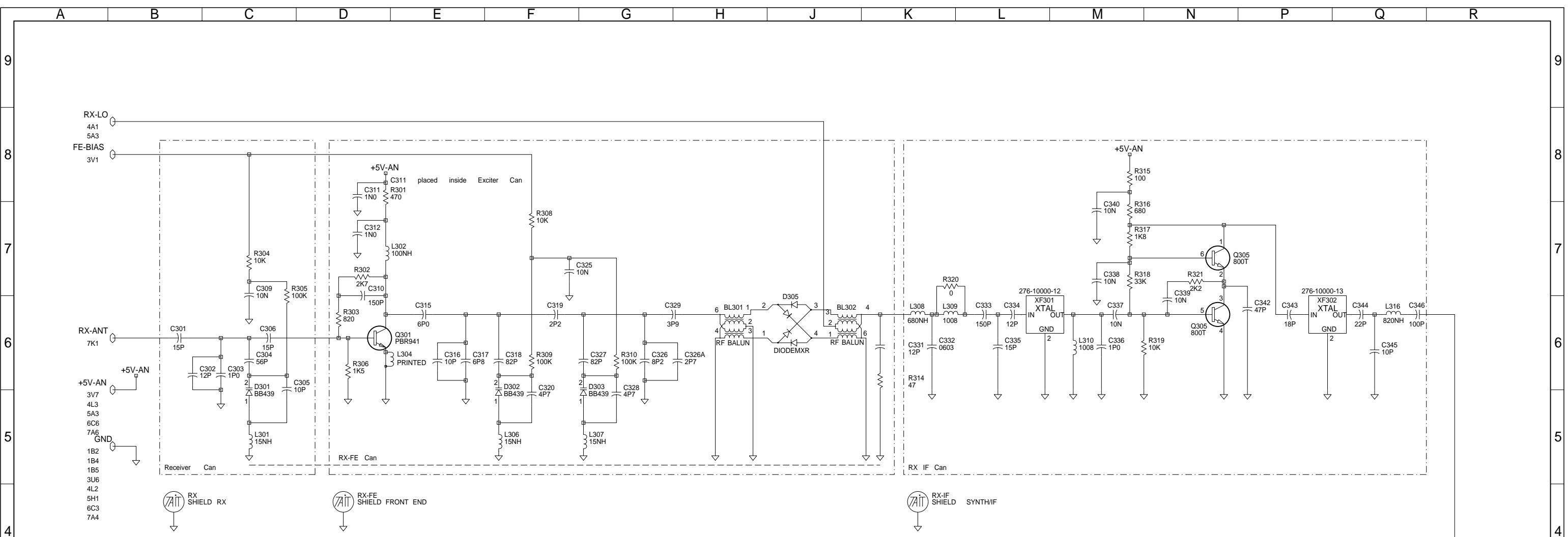
PROCESSOR
252 SHEET 3
DSP AUDIO



REV/ISS	AMENDMENTS	DRAWN	CHKD	D.O.	APVD	DATE	REV/ISS	AMENDMENTS	DRAWN	CHKD	D.O.	APVD	DATE
05B	DIG SHIELD. CCO# 1503-011	CM				03/02/00							
05A	CCO NO. 1503-004/005/006/007	BRD				04/11/99							
04B	CHANGES AS PER 1503/001	BRD				20/08/99	11A	DCO.NO.1503-018	BRD				13-11-01
03B	ADJUSTED T-CU AS PER PENTEX	BRD				03-06-99	09A	CCO. NO. 1503-016	BRD				28-05-01
03A	UPDATE ALC AND AFC	BRD				17-05-99	07B	CCO. NO. 1503-015	BRD				19-02-01
02A	SEE NOTES FILE FOR CHANGES	BRD				10/02/99	07A	COMP OBSOLESCENCE CCO.1503-013	BRD				03-11-00
08	UPDATED MUTE CIRCUITRY	DBH				06/04-00	06A	COMPONENT OBS. CCO NO. 1503-012	BRD				06-04-00

© TAIT ELECTRONICS			
TOP T5K ORCA 336-400MHZ SYSTEM DIAGRAM			
IPN: 220-01503-11	ISSUE: A	ID: 2.S.C. 1	
PROJECT: ORCA	DESIGNER: BRD	FILE NAME: 150311a	FILE DATE: 13-Nov-01
		NO. SHEETS: 7	





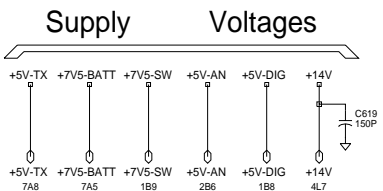
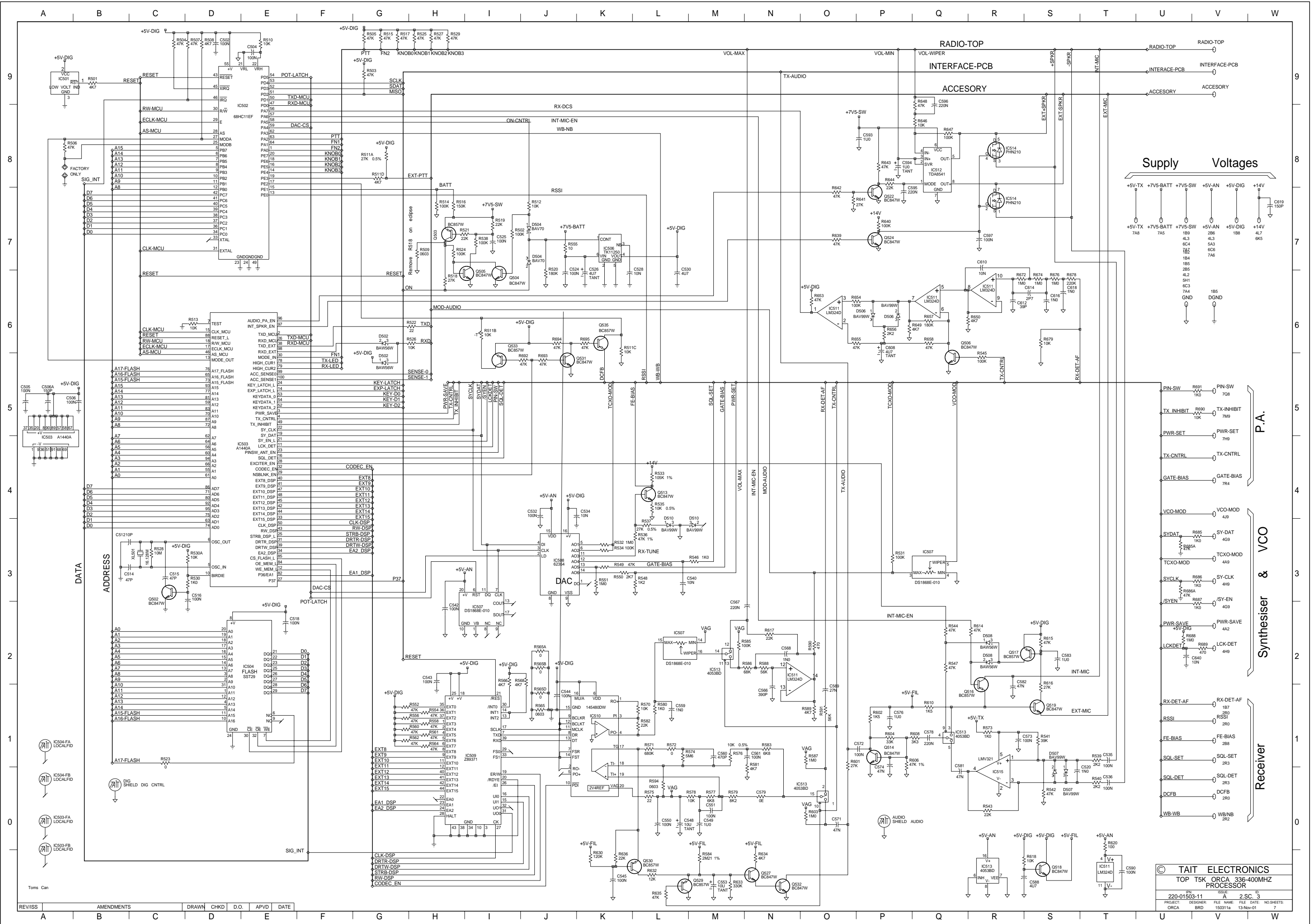
TAIT ELECTRONICS

TOP T5K ORCA 336-400MHZ RECEIVER

IPN: 220-01503-11 ISSUE: A ID: 2.S.C. 2

PROJECT: ORCA DESIGNER: BRD FILE NAME: 150311a FILE DATE: 13-Nov-01 NO.SHEETS: 7

REV/ISS	AMENDMENTS	DRAWN	CHKD	D.O.	APVD	DATE
A						

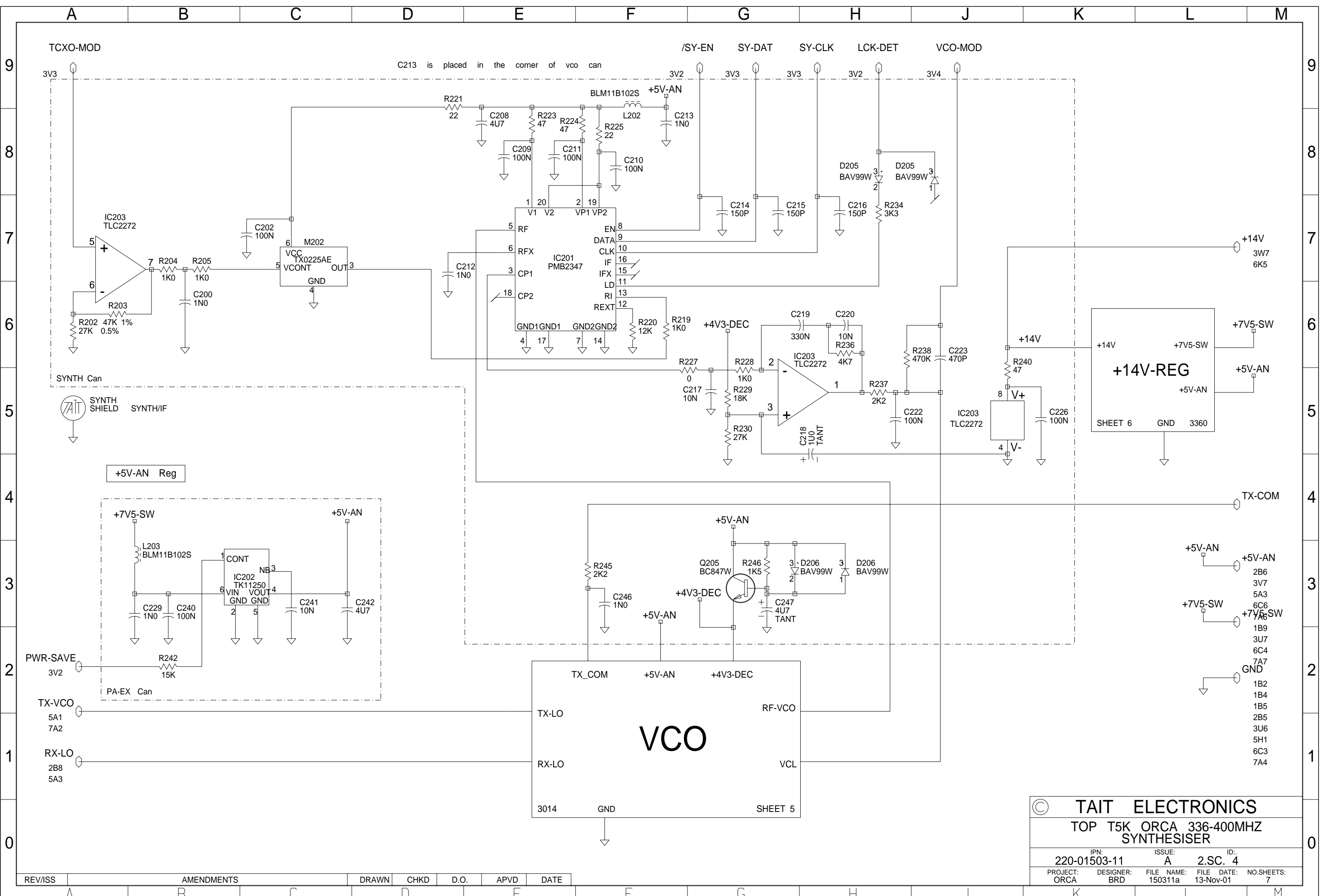


- | | | |
|------------|-----|-------------------|
| PIN-SW | 708 | P.A. |
| TX-INHIBIT | 7M9 | |
| PWR-SET | 7H9 | |
| TX-CNTRL | 7R4 | |
| GATE-BIAS | 7R4 | Synthesiser & VCO |
| VCO-MOD | 4J0 | |
| SY-DAT | 4G9 | |
| TCXO-MOD | 4A9 | |
| SY-CLK | 4H9 | |
| SY-EN | 4G9 | Receiver |
| PWR-SAVE | 4A2 | |
| LCK-DET | 4H9 | |
| RX-DET-AF | 2R0 | |
| FE-BIAS | 2B8 | |
| SQL-SET | 2R3 | |
| SQL-DET | 2R3 | |
| DCFB | 2R0 | |
| WB-WB | 2R2 | |

© TAIT ELECTRONICS
 TOP T5K ORCA 336-400MHZ
 PROCESSOR

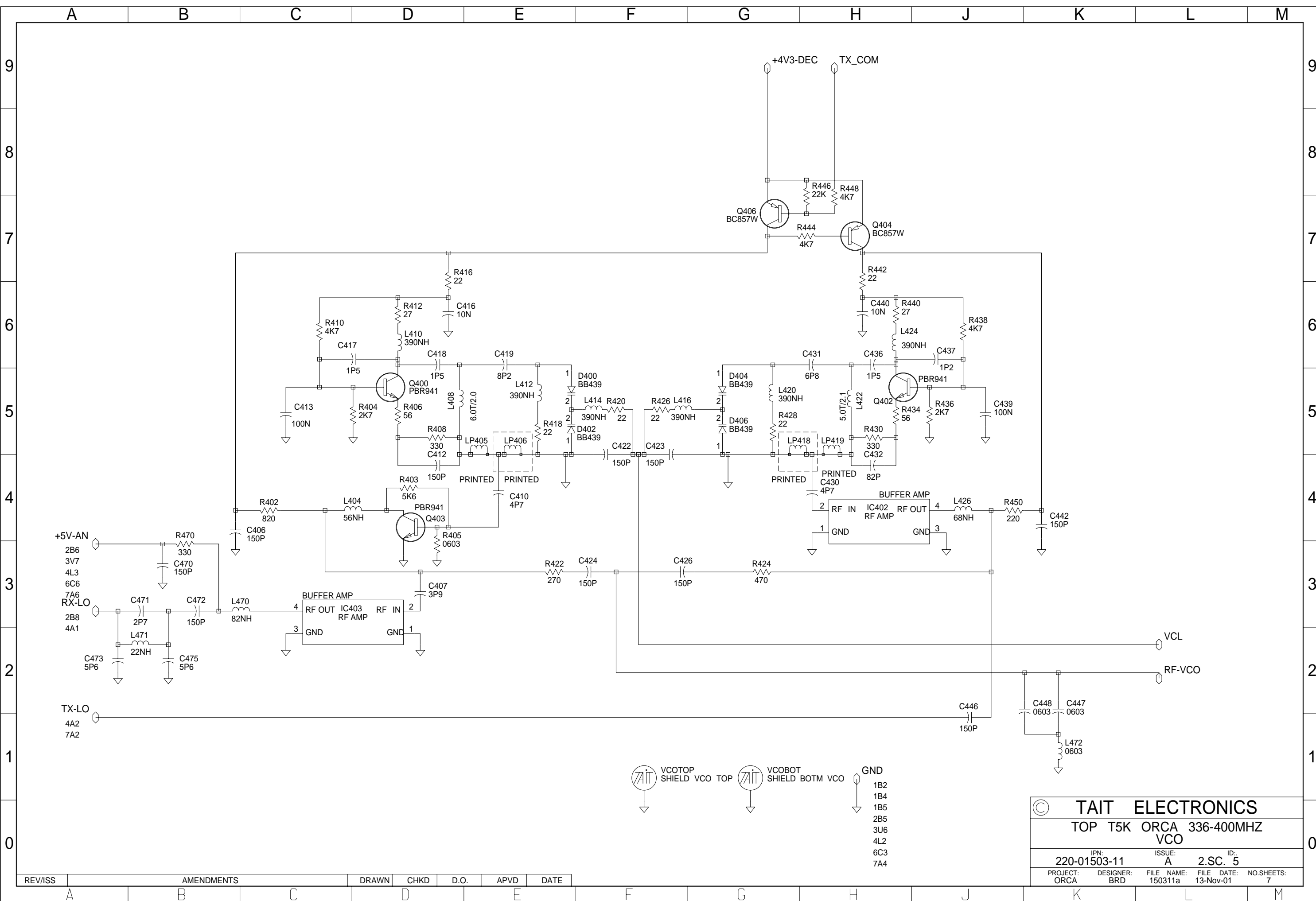
REV/ISS	AMENDMENTS	DRAWN	CHKD	D.O.	APVD	DATE
A						

220-01503-11
 ORCA BRD 150311A 13-Nov-01



© TAIT ELECTRONICS
 TOP T5K ORCA 336-400MHZ SYNTHESISER
 IPN: 220-01503-11 ISSUE: A ID: 2.SC. 4
 PROJECT: ORCA DESIGNER: BRD FILE NAME: 150311a FILE DATE: 13-Nov-01 NO.SHEETS: 7

REV/ISS	AMENDMENTS	DRAWN	CHKD	D.O.	APVD	DATE



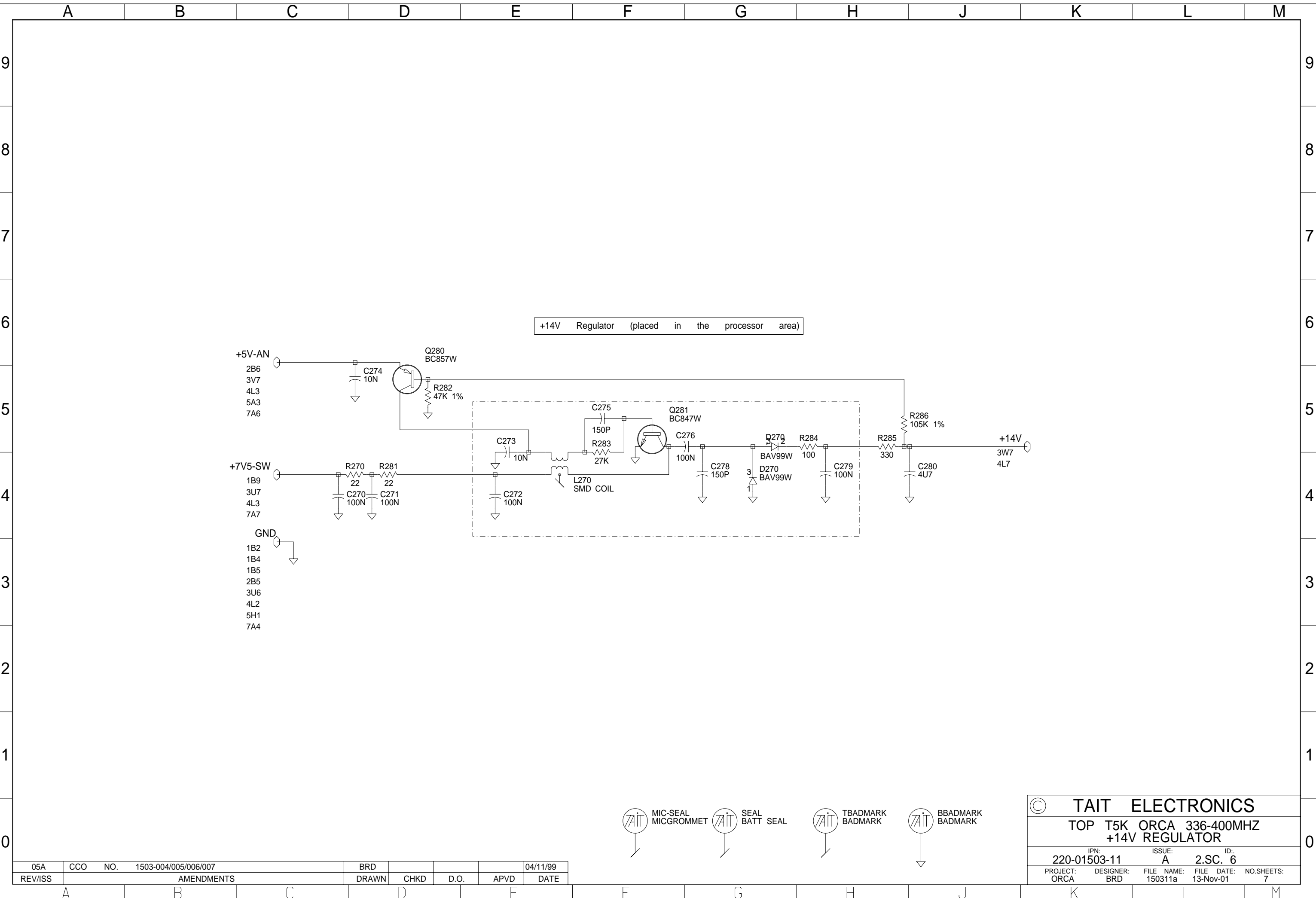
VCOTOP SHIELD VCO TOP
 VCOTOP SHIELD BOTM VCO
 GND

- 1B2
- 1B4
- 1B5
- 2B5
- 3U6
- 4L2
- 6C3
- 7A4

© TAIT ELECTRONICS
 TOP T5K ORCA 336-400MHZ
 VCO

IPN: 220-01503-11	ISSUE: A	ID: 2.SC. 5
PROJECT: ORCA	DESIGNER: BRD	FILE NAME: 150311a
	FILE DATE: 13-Nov-01	NO.SHEETS: 7

REV/ISS	AMENDMENTS	DRAWN	CHKD	D.O.	APVD	DATE

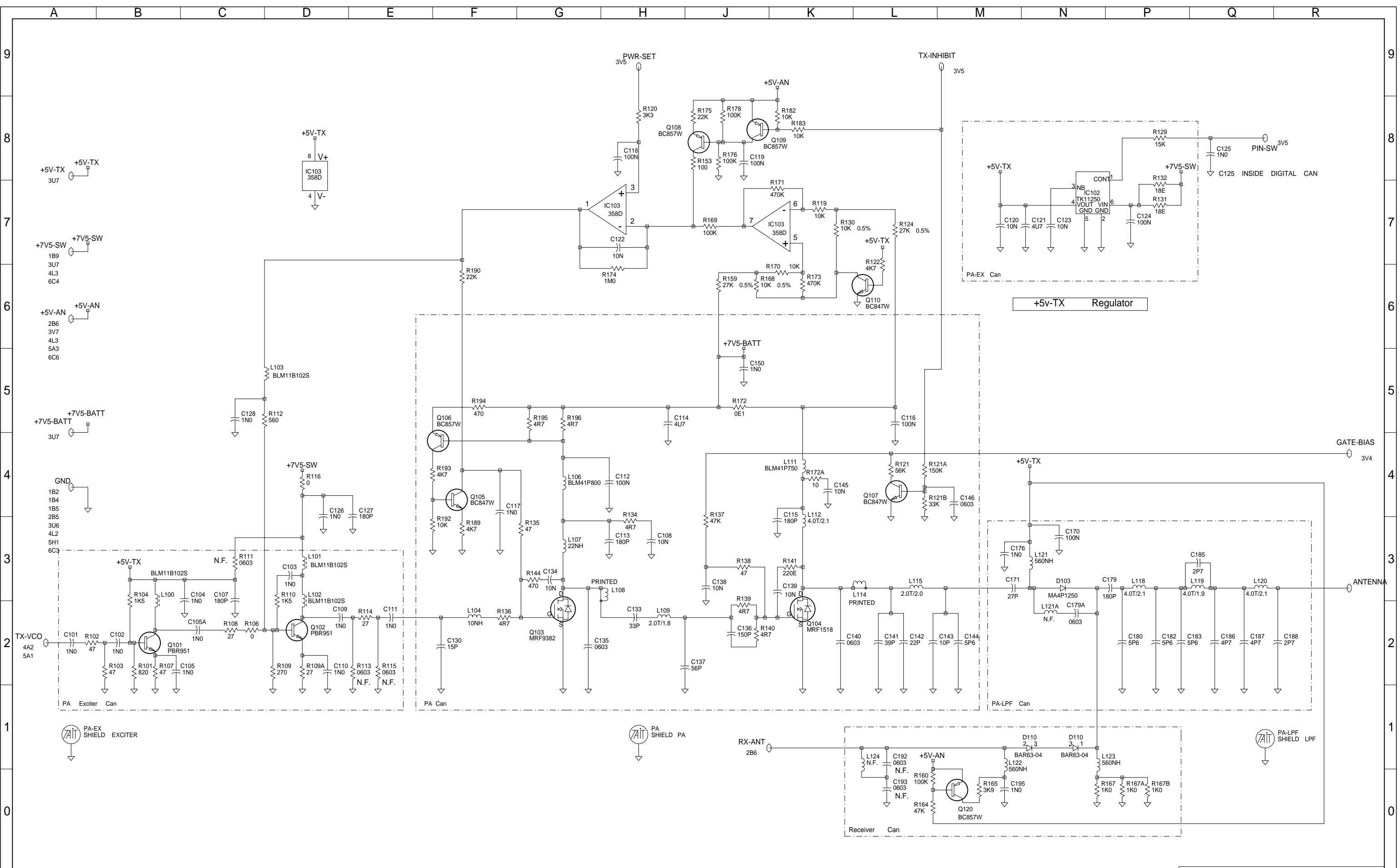


- +5V-AN
 - 2B6
 - 3V7
 - 4L3
 - 5A3
 - 7A6
- +7V5-SW
 - 1B9
 - 3U7
 - 4L3
 - 7A7
- GND
 - 1B2
 - 1B4
 - 1B5
 - 2B5
 - 3U6
 - 4L2
 - 5H1
 - 7A4

- MIC-SEAL MICGROMMET
- SEAL BATT SEAL
- TBADMARK BADMARK
- BBADMARK BADMARK

© TAIT ELECTRONICS
 TOP T5K ORCA 336-400MHZ
 +14V REGULATOR
 IPN: 220-01503-11 ISSUE: A ID: 2.SC. 6
 PROJECT: ORCA DESIGNER: BRD FILE NAME: 150311a FILE DATE: 13-Nov-01 NO.SHEETS: 7

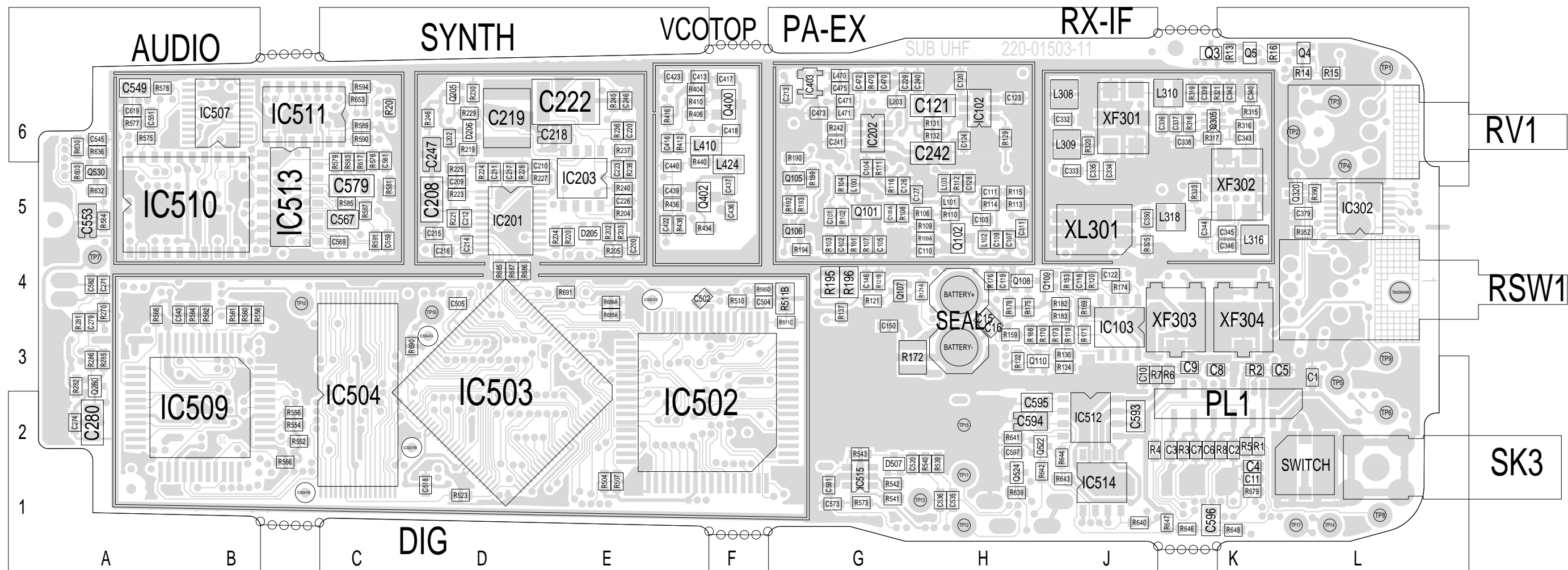
05A	CCO	NO.	1503-004/005/006/007	BRD				04/11/99
REV/ISS	AMENDMENTS			DRAWN	CHKD	D.O.	APVD	DATE



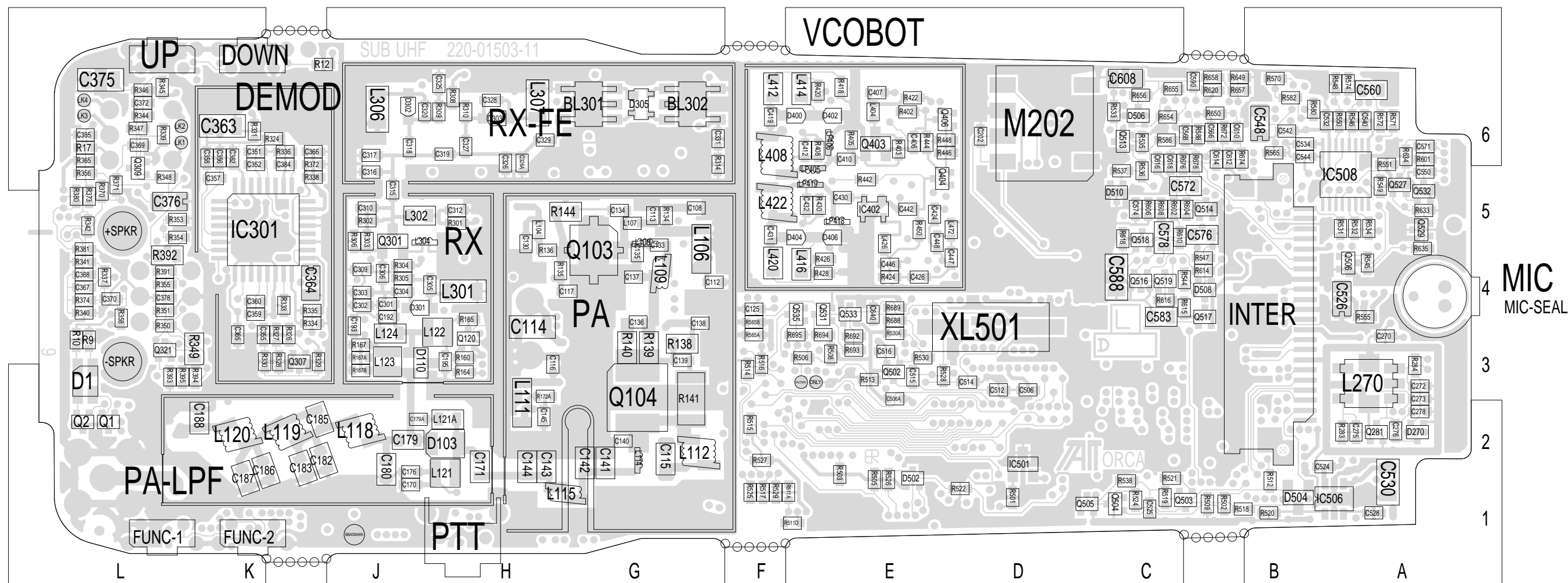
© TAIT ELECTRONICS
 TOP T5K ORCA 336-400MHZ
 POWERAMP

IPN:	ISSUE:	ID:
220-01503-11	A	2.S.C. 7
PROJECT:	DESIGNER:	FILE NAME:
ORCA	BRD	150311a
DATE:	NO.SHEETS:	
13-Nov-01	7	

REV/ISS	AMENDMENTS	DRAWN	CHKD	D.O.	APVD	DATE
A						



TAIT ELECTRONICS IPN: 220-01503-11 ISS: A ID: 1.TA DATE: 13 Nov 2001
SUB UHF PCB LAYOUT - TOP SIDE



TAIT ELECTRONICS IPN: 220-01503-11 ISS: A ID: 6.BA DATE: 13 Nov 2001
 SUB UHF PCB LAYOUT - BOTTOM SIDE

Scale: 2.3:1 ; Rotation: 0 degrees